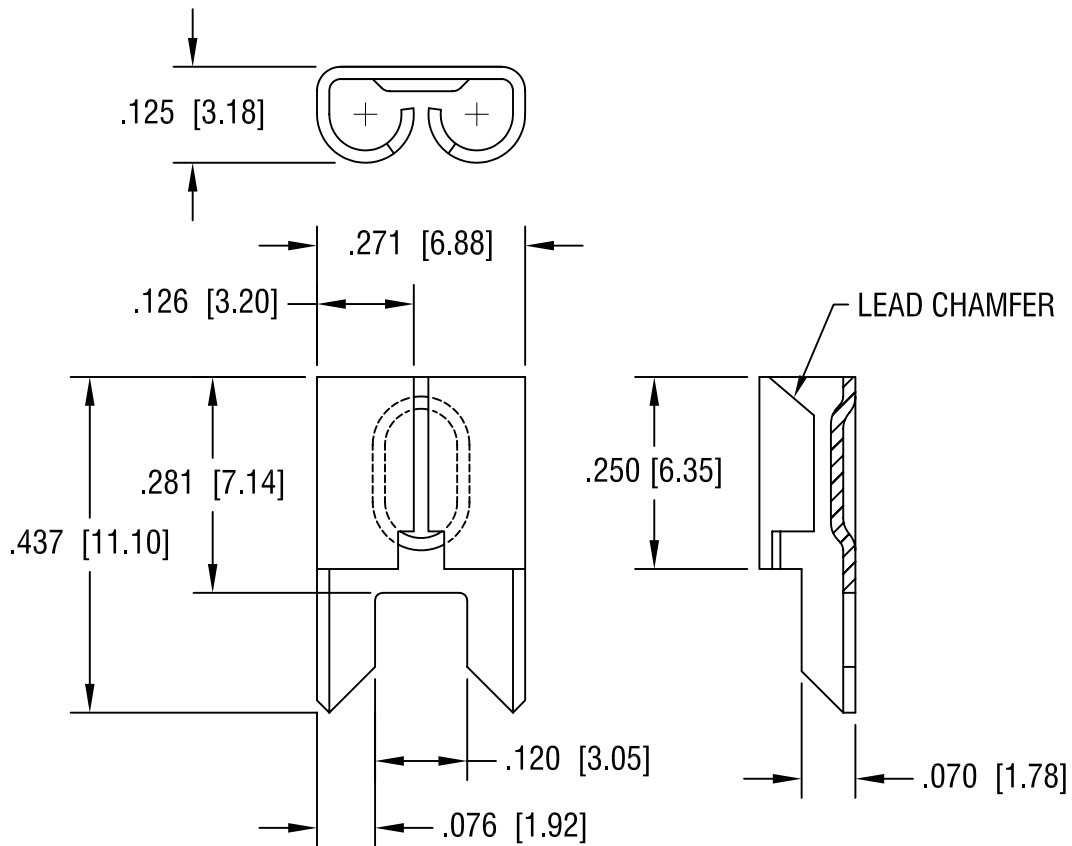
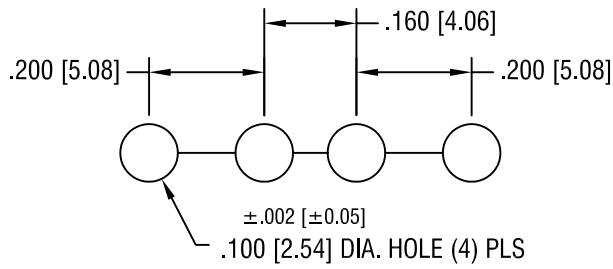


THIS DOCUMENT IS THE PROPERTY OF  
KEYSTONE ELECTRONICS CORP. AND  
SHALL NOT BE REPRODUCED, DISTRIBUTED  
OR USED AS A BASIS FOR MANUFACTURE  
WITHOUT PRIOR WRITTEN PERMISSION  
FROM KEYSTONE ELECTRONICS CORP.

MOUNTING LAYOUT FOR TWO CLIPS



7.12.06	CHANGE AS PER ECN 06-041	G
8.18.04	CHANGE AS PER ECN 04-064	F
8.21.03	CHANGE AS PER ECN 03-057	E
DATE	DESCRIPTION	REV.

<b>KEYSTONE ELECTRONICS CORP.</b>			
ASTORIA, N.Y. 11105-2017			
PART NAME		PC AUTO FUSE CLIP	
MATERIAL		.016 [0.40] TH'K BRASS	
FINISH	TIN NICKEL PLATE	DRN BY	BOONE
		APP'D	LN
		DATE	11.14.90
		SCALE	4X
TOLERANCES	INCH [MM]	CODE	DWG NO.
DECIMAL	± .005 [± 0.15]	C	<b>3522</b>
ANGULAR	± 1°		
UNLESS OTHERWISE SPECIFIED			